

IRAX® Spring Balancers

Selection Chart

This selection chart is linked to the specification pages. By clicking on the light grey boxes, you will open automatically the corresponding specification table




[Click here to see the general description of the range](#)

Hose Reel Balancers



Stroke 1.30 m

 Capacity:
0.4 to 2.5 kg

Light Duty Balancers



Stroke 1.60 m

 Capacity:
0.4 to 3 kg

Medium Duty Balancers



Standard Stroke
2.00 m

 Capacity:
1.0 to 14 kg

Long Stroke
2.50 m

 Capacity:
2 to 14 kg

**Long Stroke 2.50 m
with locking Device**

 Capacity:
2 to 10 kg

Intermediate Duty Bal.



Stroke 2.00 m

 Capacity:
4 to 25 kg

Heavy Duty Balancers



Stroke 2.00 m

 Capacity:
10 to 75 kg

Super Duty Balancers



Stroke
2.50 m and 3 m

 Capacity:
15 to 60 kg

Stroke
2.50 m and 3 m

 Capacity:
60 to 100 kg

Stroke
2.50 m and 3 m

 Capacity:
100 to 180 kg



**Optional rotating
device**
(for models up to
30 kg capacity)

IRAX® Spring Balancers

General description

These balancers, ranging from 0.4 to 180 kg, are divided into 5 ranges:

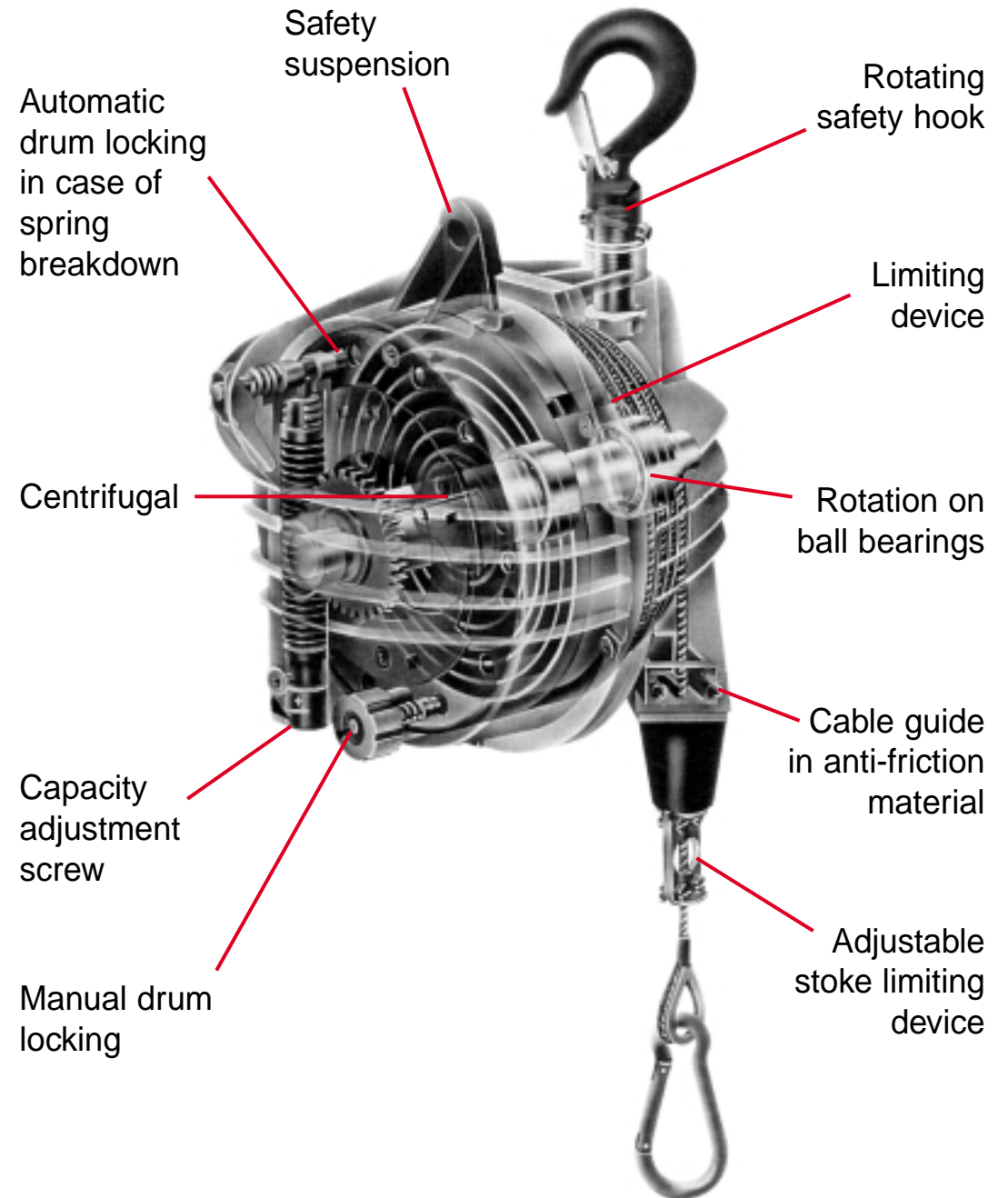
- Light Duty (including the hose reel balancers)
- Medium Duty
- Intermediate Duty
- Heavy Duty
- Super Duty

Main features of the balancers are simple, rugged construction in die-cast aluminium, which gives longer life; the safety locking device on the Medium, Intermediate, Heavy and Super Duty models prevents load dropping; and simple controls for spring adjustment to allow for accurate, easy balancing.

The range also allows greater choice of balancing stroke; the Medium range is available with both 2.0 and 2.5 metre stroke, and the Super Duty range with 2.5 and 3.0 metre stroke.



Back to
selection
chart



0.4 - 3 Kg

IRAX[®] Spring Balancers

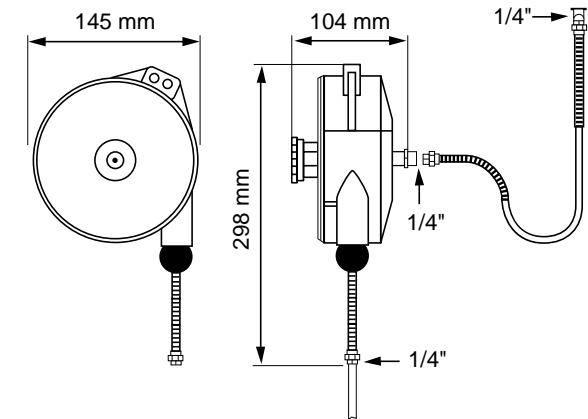
 [Back to selection chart](#)

Hose Reel Series

Model number	Capacity (kg)	Weight (kg)	Stroke (mm)
BHR-8	0.4 - 0.8	1.5	1300
BHR-15	0.7 - 1.5	1.5	1300
BHR-25	1.2 - 2.5	1.5	1300



BHR-15



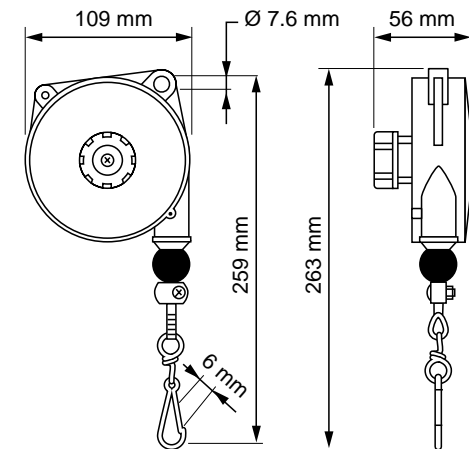
Light Duty Series

- Rotary hook
- Self lubricating bushes
- Adjustable capacity and stroke limiting device
- Auxiliary safety suspension

Model number	Capacity (kg)	Weight (kg)	Stroke (mm)
BLD-1	0.4 - 1	0.6	1600
BLD-2	1 - 2	0.6	1600
BLD-3	2 - 3	0.7	1600



BLD-1



1.0-10 Kg

IRAX® Spring Balancers

 [Back to selection chart](#)

Medium Duty Series

- Rotary hook
- Self lubricating bushes
- Adjustable capacity and stroke limiting device
- Auxiliary safety suspension

Model number	Capacity (kg)	Weight (kg)	Stroke (mm)
Standard			
BMDS-2	1.0 - 2.5	2.0	2000
BMDS-4	2 - 4	2.0	2000
BMDS-6	4 - 6	2.3	2000
BMDS-8	6 - 8	2.5	2000
BMDL-14	10 - 14	2.8	2000

Long Stroke

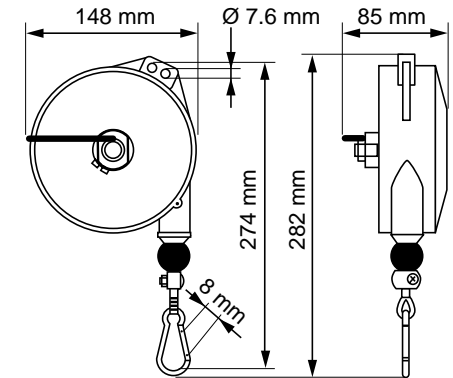
BMDL-4	2 - 4	2.9	2500
BMDL-6	4 - 6	3.2	2500
BMDL-8	6 - 8	3.5	2500
BMDL-10	8 - 10	3.7	2500
BMDL-12	10 - 14	4.0	2500

Long Stroke with Locking Device

BMDLL-4	2 - 4	3.0	2500
BMDLL-6	4 - 6	3.3	2500
BMDLL-8	6 - 8	3.6	2500
BMDLL-10	8 - 10	3.8	2500



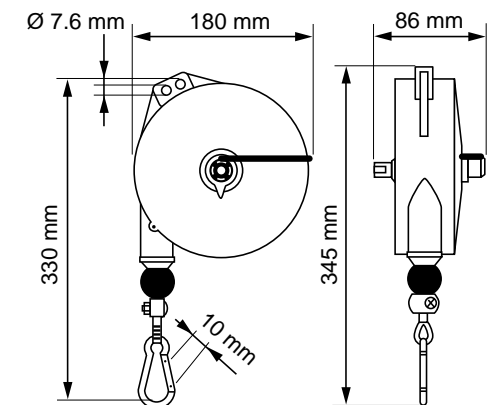
BMDS-2



Standard Series



BMDL-4



Long stroke Series

4-25 Kg

IRAX[®] Spring Balancers

 [Back to selection chart](#)

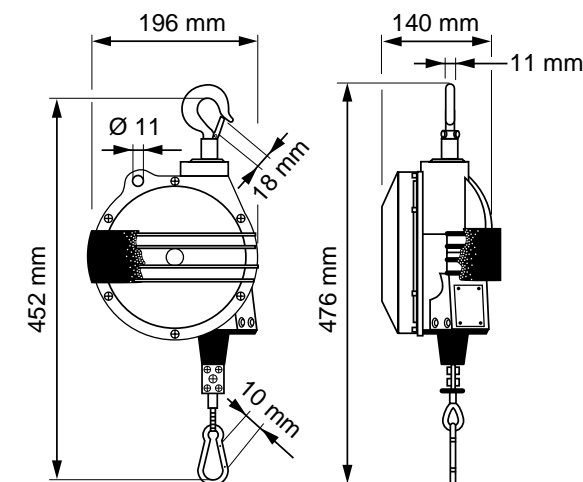
Intermediate Duty Series **NEW**

- Ribbed and sealed monobloc construction in Aluminium alloy
- Stainless steel cable
- Adjustable capacity by means of a worm screw
- Auxiliary safety suspension
- Safety device against load dropping due to the spring breakage
- Upper rotary suspension with safety hook on ball bearing
- Locking device to block the load at any height
- Adjustable stroke limiting device
- Taper drum rotating on ball bearing
- Anti-friction cable guide.
- Inert spring drum assembly

Model number	Capacity (kg)	Weight (kg)	Stroke (mm)
BIDS-7	4 - 7	5.0	2000
BIDS-10	7 - 10	5.5	2000
BIDS-14	10 - 14	5.5	2000
BIDS-18	14 - 18	6.5	2000
BIDS-22	18 - 22	6.0	2000
BIDS-26	22 - 25	6.6	2000



BIDS-14



10-75 Kg

IRAX[®] Spring Balancers

 [Back to selection chart](#)

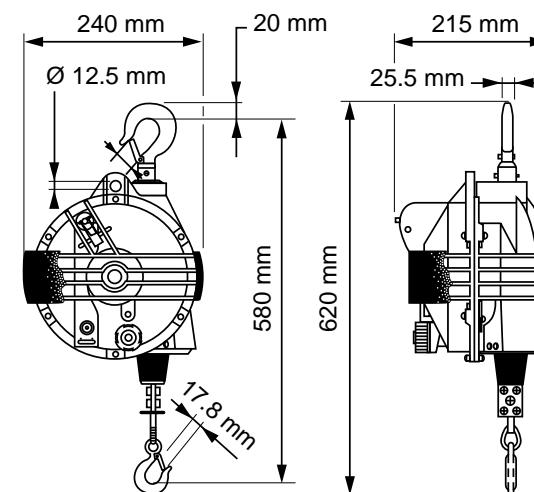
Heavy Duty Series

- Safety device prevents load dropping due to the spring breakage
 - Upper suspension with rotary hook
 - Precision guided cable winding prevents jamming.
 - Anti-friction cable guide.
 - Manual locking device for instant clamping or release.
 - Worm screw capacity adjustment.
 - Inert spring drum assembly.
- ★ Floor controlled locking device (Reference BIL-7343) available as an option.

Model number	Capacity (kg)	Weight (kg)	Stroke (mm)
BHD-15	10 - 15	10.3	2000
BHD-20	15 - 20	10.6	2000
BHD-25	20 - 25	11.2	2000
BHD-30	25 - 30	11.5	2000
BHD-35	30 - 35	11.8	2000
BHD-45	35 - 45	12.4	2000
BHD-55	45 - 55	12.5	2000
BHD-65	55 - 65	13.6	2000
BHD-75	65 - 75	13.8	2000



BHD-20



15 - 60 Kg

IRAX® Spring Balancers

 [Back to selection chart](#)

Super Duty Series

- Safety device prevents load dropping due to the spring breakage
 - Precision guided cable winding prevents jamming.
 - Manual locking device for instant clamping or release.
 - Alignable rotating upper hook.
 - Anti-friction cable guide.
 - Worm screw capacity adjustment.
 - Cable replacement without balancer disassembly.
- ★ Floor controlled locking device (Reference BIL-3224) available as an option.

Model number	Capacity (kg)	Weight (kg)	Stroke (mm)
--------------	---------------	-------------	-------------

Standard

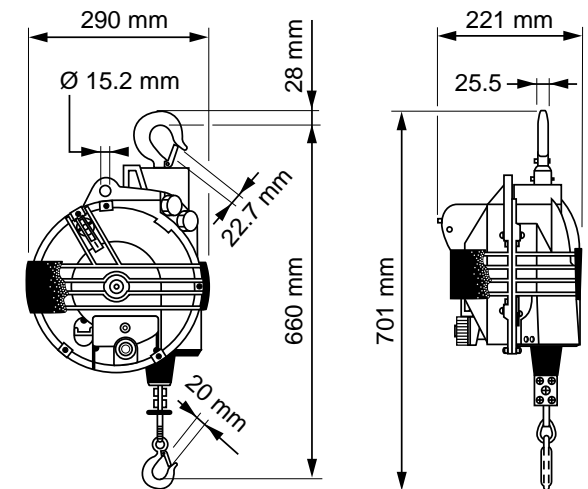
BSD-20	15 - 20	19.0	2500
BSD-30	20 - 30	19.8	2500
BSD-40	30 - 40	20.8	2500
BSD-50	40 - 50	23.9	2500
BSD-60	50 - 60	25.4	2500

Long Stroke

BSDL-20	15 - 20	19.1	3000
BSDL-25	20 - 25	19.9	3000
BSDL-35	25 - 35	20.9	3000



BSD-50



60 - 100 Kg

IRAX® Spring Balancers

 [Back to selection chart](#)

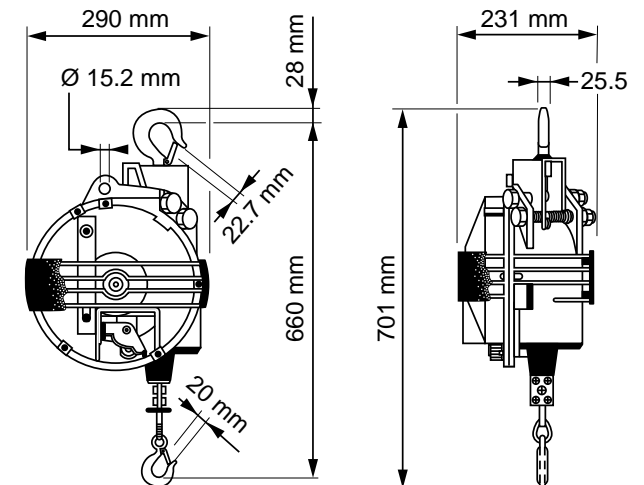
Super Duty Series (continued)

- Safety device prevents load dropping due to the spring breakage
 - Precision guided cable winding prevents jamming.
 - Manual locking device for instant clamping or release.
 - Alignable rotating upper hook.
 - Anti-friction cable guide.
 - Worm screw capacity adjustment.
 - Cable replacement without balancer disassembly.
- ★ Floor controlled locking device (Reference BIL-3224) available as an option.

Model number	Capacity (kg)	Weight (kg)	Stroke (mm)
Standard			
BSD-70	60 - 70	26.8	2500
BSD-80	70 - 80	27.8	2500
BSD-90	80 - 90	28.8	2500
BSD-100	80 - 100	35.6	2500
Long Stroke			
BSDL-45	35 - 45	23.8	3000
BSDL-50	40 - 50	23.9	3000
BSDL-60	50 - 60	25.3	3000
BSDL-70	60 - 70	26.7	3000
BSDL-80	70 - 80	28.0	3000
BSDL-90	80 - 90	29.0	3000
BSDL-100	80 - 100	36.8	3000



BSDL-45



100 - 180 Kg

IRAX® Spring Balancers

 [Back to selection chart](#)

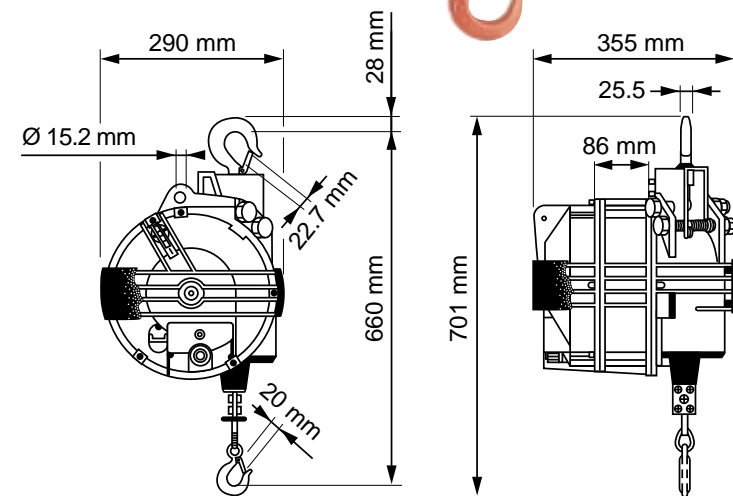
Super Duty Series (continued)

- Safety device prevents load dropping due to the spring breakage
 - Precision guided cable winding prevents jamming.
 - Manual locking device for instant clamping or release.
 - Alignable rotating upper hook.
 - Anti-friction cable guide.
 - Worm screw capacity adjustment.
 - Cable replacement without balancer disassembly.
- ★ Floor controlled locking device (Reference BIL-3224) available as an option.

Model number	Capacity (kg)	Weight (kg)	Stroke (mm)
Standard			
BSD-120	100 - 120	38.7	2500
BSD-140	120 - 140	41.8	2500
BSD-150	130 - 150	44.5	2500
BSD-165	150 - 165	48.2	2500
Long Stroke			
BSDL-115	100 - 115	38.7	3000
BSDL-130	115 - 130	39.9	3000
BSDL-140	130 - 140	42.8	3000
BSDL-150	140 - 150	45.6	3000
BSDL-180	160 - 180	50.0	3000



BSD-165



Rotary and Insulating device

For installation between cable and bottom hook

This rotating device prevents twist of the cable. This is strongly recommended when the task involves continuous rotation of the load. This also provides electrical insulation of the load to the balancer cable.

Model number	Capacity (kg)
OPTRI	1.0 - 30

